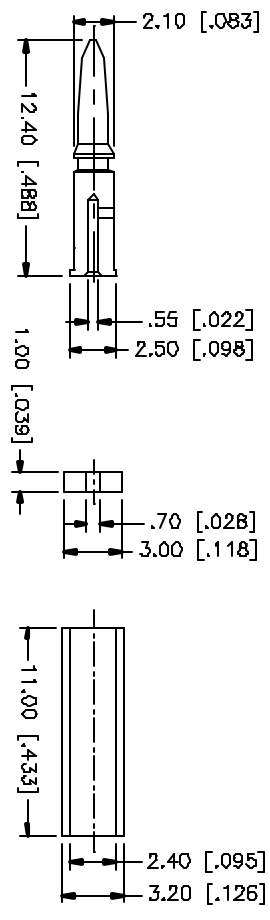
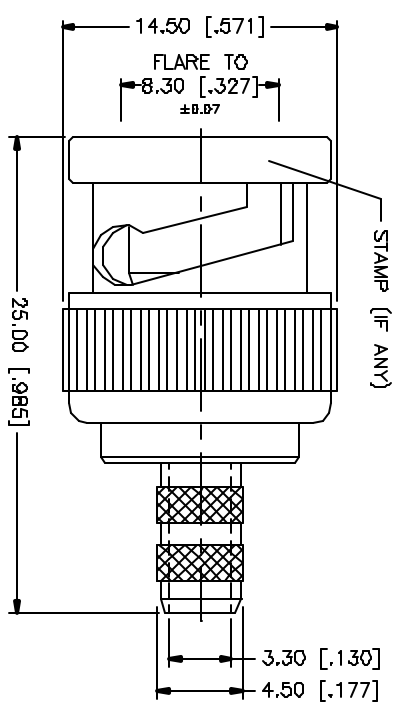
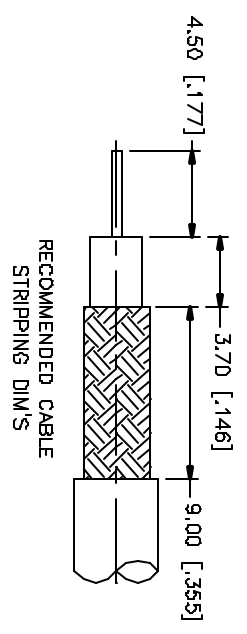
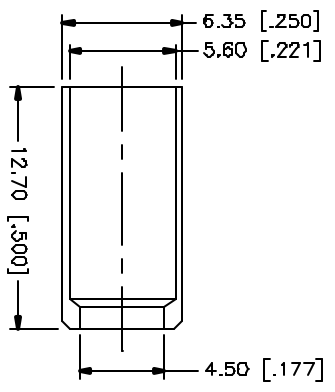


REV.	DATE	DESCRIPTION
A	09/02/04	MODIFY BARREL, FERRULE / ADD SLEEVE, INSULATOR



- CRIMP NOTES:
1. CRIMPED FERRULE HEX CRIMP SIZE .213"
 2. CONTACT PIN TO SOLDER OR HEX CRIMP SIZE .068"



QTY	FINISH	MATERIAL	DESCRIPTION
1	NICKEL	BRASS	INSULATOR
1	NICKEL	BRASS	CONTACT PIN
1	NICKEL	BRASS	SLEEVE
1	NICKEL	BRASS	FERRULE
1	NICKEL	BRASS	BODY

APPROVALS	DATE
Q.R.S.	09/02/04

CAD FILE	DWG NO.	REV.	SIZE	SCALE
C:/112/112721.DWG	112721.DWG	A	A	NA

PART DESCRIPTION	PART NO.
BNC CRIMP PLUG (FOR 26AWG MCGOMI CABLE)	112721

Amphenol Connex

UNLESS OTHERWISE SPECIFIED DIMENSIONS ARE IN MILLIMETERS. DIMENSIONS IN [] ARE IN INCHES AND NOT DECIMAL EQUIVALENTS. DIM. TOLERANCES FOR MILLIMETERS ARE:
 0.5 - 30mm ± 0.20mm
 30 - 120mm ± 0.30mm
 UNLESS OTHERWISE SPECIFIED DIMENSIONS FOR INCHES ARE:
 .020 - .318 ± 0.007"
 .318 - 1.180 ± 0.015"
 1.180 - 4.724 ± 0.020"
 DO NOT SCALE DRAWING