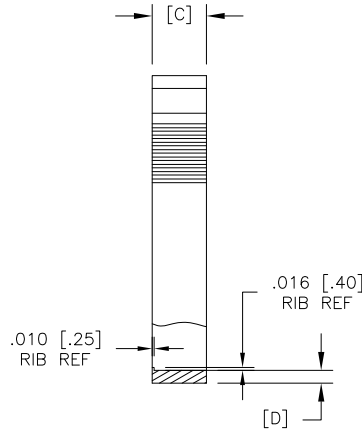


FULL SCALE AS MOLDED



REDUCED  
NO SCALE

SNP2410	ACETAL WHITE	22	IN MM	.991 25.17	1.115 28.32	.290 7.37	.068 1.73	1.520 38.61	1.024 26.01
CATALOG NUMBER	MATERIAL	NUMBER OF TEETH	DIM TOL	*[A]	*[B]	[C]	[D]	[E]	[F]
				.020 - .00		.010 - .00			REF

NOTE:  
\* 1. INSIDE DIAMETERS [A] & [B] ARE MEASURED IN THREE PLACES SPACED 120° APART EXCLUDING .010 WIDE RIB

**HellermannTyton.**

ALL PROPRIETARY RIGHTS IN THE SUBJECT MATTER SHOWN ON THIS DRAWING ARE EXCLUSIVE PROPERTY OF HELLERMANNTYTON

name	date	city, state

REV	level	02
AW	date	03/21/13
SI	by	AAC
IG	ECN #	012320
ON	part level	-

DIMENSIONS  
unless otherwise specified  
units inches/[mm]

number	SEE CHART	phase	PRODUCTION
name	SNAPPER 24 HOSE CLAMP		
material	SEE CHART		

DR	FORMAT C version P	CAD	ACAD	scale	2X
AW	computer file number	CP\CST\2024002_02	previous number		
WI	date	04/02/06	date	03/21/13	approved
IN	type	CUSTOMER		sheet	1 of 1
NG	number	CP2024002CST			